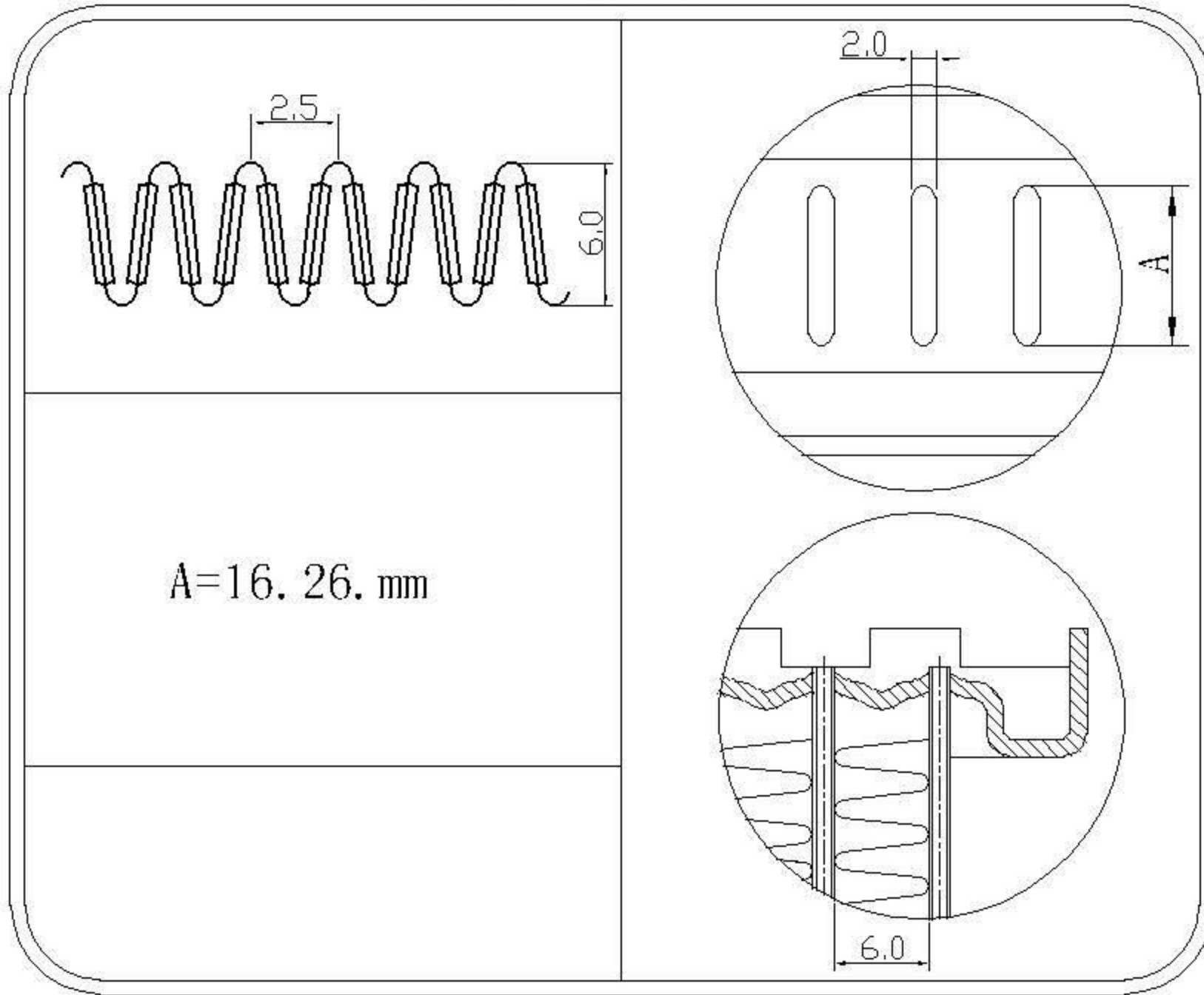


PA RADIATOR CORE STRUCTURE



PA RADIATOR CORE STRUCTURE

